



The Standards Based Integration Company
6605 19½ Mile Road, Sterling Heights, MI 48314-1408 USA
Tel: +1-586-254-0020, Fax: +1-586-254-0053, E-Mail: info@sisconet.com
http://www.sisconet.com

AX-S4 ICCP

ACCESS FOR . . .

"Plug-in" Connections for ICCP-TASE.2

Description

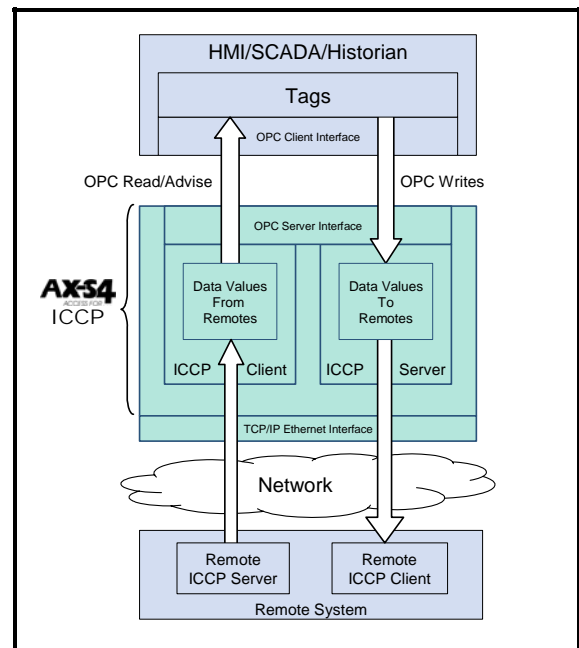
AX-S4 ICCP (Access For ICCP) is an OLE for Process Control (OPC™) server that provides ICCP-TASE.2 plug-in connectivity for any Windows® application supporting the popular OPC interface including many off-the-shelf SCADA, HMI and data historian products including OSIsoft PI®.

The Intercontrol Center Communications Protocol (ICCP) is an international standard (IEC60870-6 TASE.2) to enable integration of real-time data between the control centers of different utilities over wide area networks (WAN). ICCP-TASE.2 is being used world-wide to provide exchange of real-time data between control centers, substations, power plants, EMS, SCADA and metering equipment within the electric and gas utility industries. Applications range from small regional power dispatching networks to large supra-national transmission systems.

AX-S4 ICCP combines two popular standards (OPC and ICCP-TASE.2) into a single product to provide off-the-shelf plug-in ICCP connectivity for a wide range of existing low-cost off-the-shelf Windows applications supporting OPC.

Benefits

- "Plug-in" ICCP-TASE.2 connectivity without programming for OPC enabled applications.
- No proprietary interfaces.
- Lower implementation cost using off-the-shelf Windows applications.
- Uses field proven ICCP-TASE.2 technology for maximum interoperability with existing systems.



Features

- Compatible with Windows XP & Server 2003
- Supports Blocks 1, 2, 3, 4, and 5 of IEC 60870-6 TASE.2 as both **client and server** via OPC server interface
- Extensive support for standards including:
 - ▶ OLE for Process Control DA V3
 - ▶ IEC 60870-6 TASE.2 Blocks 1, 2, 3, 4 & 5
 - ▶ TCP/IP and RFC1006 network transport
 - ▶ IEEE802.3 Ethernet
 - ▶ XML import/export of bilateral table configuration
- Supports redundant configurations with failover
- Includes GUI that supports automated configuration functions for simplified installation and setup

AX-S4 ICCP

ACCESS FOR...

ICCP-TASE.2 Services Supported

Association Mgmt	Client	Server
Supported Features	X	X
Associate Operation	X	X
Conclude Operation	X	X
Abort Operation	X	X

Data Values	Client	Server
Data Value Model	X	X
VCC-specific scope	X	X
ICC-specific scope	X	X
Get Data Value Operation	X	X
Set Data Value Operation	X	X
Get Data Value Names Op.	X	X
Get Data Value Type Op.	X	X

Data Sets	Client	Server
Data Set Model	X	X
VCC-specific scope	X	X
ICC-specific scope	X	X
Create Data Set Operation	X	X
Delete Data Set Operation	X	X
Get Data Set Element Values Op.	X	X
Set Data Set Element Values Op.	X	X
Get Data Set Names Op.	X	X
Get Data Set Element Names Op.	X	X

Information Message Objects	Client	Server
Info. Message Transfer Set Model	X	X

DS Transfer Sets	Client	Server
Data Set Transfer Set Model	X	X
Start Transfer Operation	X	X
Stop Transfer Operation	X	X
Get Next DSTransfer Set Operation	X	X
IntervalTimeout	X	X
ObjectChange	X	X
OperatorRequest	X	X
IntegrityTimeout	X	X
Start Time	X	X
Interval	X	X
TLE	X	X
Buffer Time	X	X
Integrity Check	X	X
DSConditions Requested	X	X
Block Data	X	X
RBE	X	X

Special Transfer Set Objects	Client	Server
Transfer Set Name	X	X
Next DSTransfer Set	X	X
DSConditionsDetected	X	X

Devices	Client	Server
Device Model	X	X
Select Operation	X	X
Operate Operation	X	X
Get Tag	X	X
Set Tag	X	X

NOTES: 1.) Specifications presented herein are thought to be accurate at time of publication but are subject to change without notice. NO WARRANTIES OF ANY KIND ARE IMPLIED ON THE INFORMATION CONTAINED IN THIS DOCUMENT. 2.) All company names, tradenames and trademark are trademarks or registered trademarks of their respective companies. 3.) SISCO software products are available through OEMs and/or distributors world-wide. Contact SISCO for a representative near you.

Oct 07



Represented By:

Systems Integration Specialists Company, Inc.
 6605 19½ Mile Road, Sterling Hts, MI 48314 USA
 Tel: +1-586-254-0020, Fax: +1-586-254-0053
 E-Mail: info@sisconet.com